



Electric Auxiliary Power Units

Emission-Free Comfort

*High Performance
Cab Climate Control*



The QUIET WAY

To Be Cool



ComfortPro[®] electric auxiliary power unit (APU) quietly cools the cab for driver comfort throughout the night, during breaks and rest periods using energy supplied by the tractor.

Efficient power management provides up to 11 hours of air conditioning, one of the longest available run times in a battery-powered APU.

Available options add heating, power for hotel loads, shore power connectivity and truck engine preheating, allowing users to customize the unit to meet their individual needs.



A NEW FREEDOM

Of the Road

The ComfortPro® electric APU provides a special kind of freedom. As an engineless system, that means total freedom from idling and related noise ... air-conditioned comfort that is free from diesel fuel consumption and related emissions ... and it's all provided by a virtually maintenance-free system.

By tapping energy from the truck's alternator while driving, the APU's four Group 31 AGM batteries can be charged up when it's time to shut down.

The ComfortPro electric APU delivers a solid 7,500 BTUs of cooling for 8-11 hours.

With a simpler design than typical diesel APU systems and only a few moving parts, there is less to service with a ComfortPro electric APU – no oil changes, no belts to tighten or valves to adjust. That means additional freedom when it comes to maintenance.

With no engine and its compressor located within the APU, external to the cab, the ComfortPro electric APU provides one of the quietest systems for driver comfort.

As an air conditioning system, a ComfortPro electric model provides relatively simple installation and an economical path to APU ownership.



**Variable based on ambient temperatures, average power consumption, solar load and cab insulation.*



LESS an ACCESSORY

And More a Necessity

Fuel Savings: Your New Profit Center

The ComfortPro® electric APU maximizes fuel conservation.

Fuel savings and compliance with anti-idling regulations are immediate as soon as the truck engine is shut down and the ComfortPro electric APU is turned on.

Even with an optional diesel fuel-fired heater, the system's fuel consumption is only about 0.06 gallons per hour when heating is required.

Reduced Tractor Idling: Today's Necessity

Curtailling truck engine idling provides benefits beyond fuel savings and emissions reduction. Cutting runtime for the truck engine extends service intervals while reducing wear and tear on the engine.

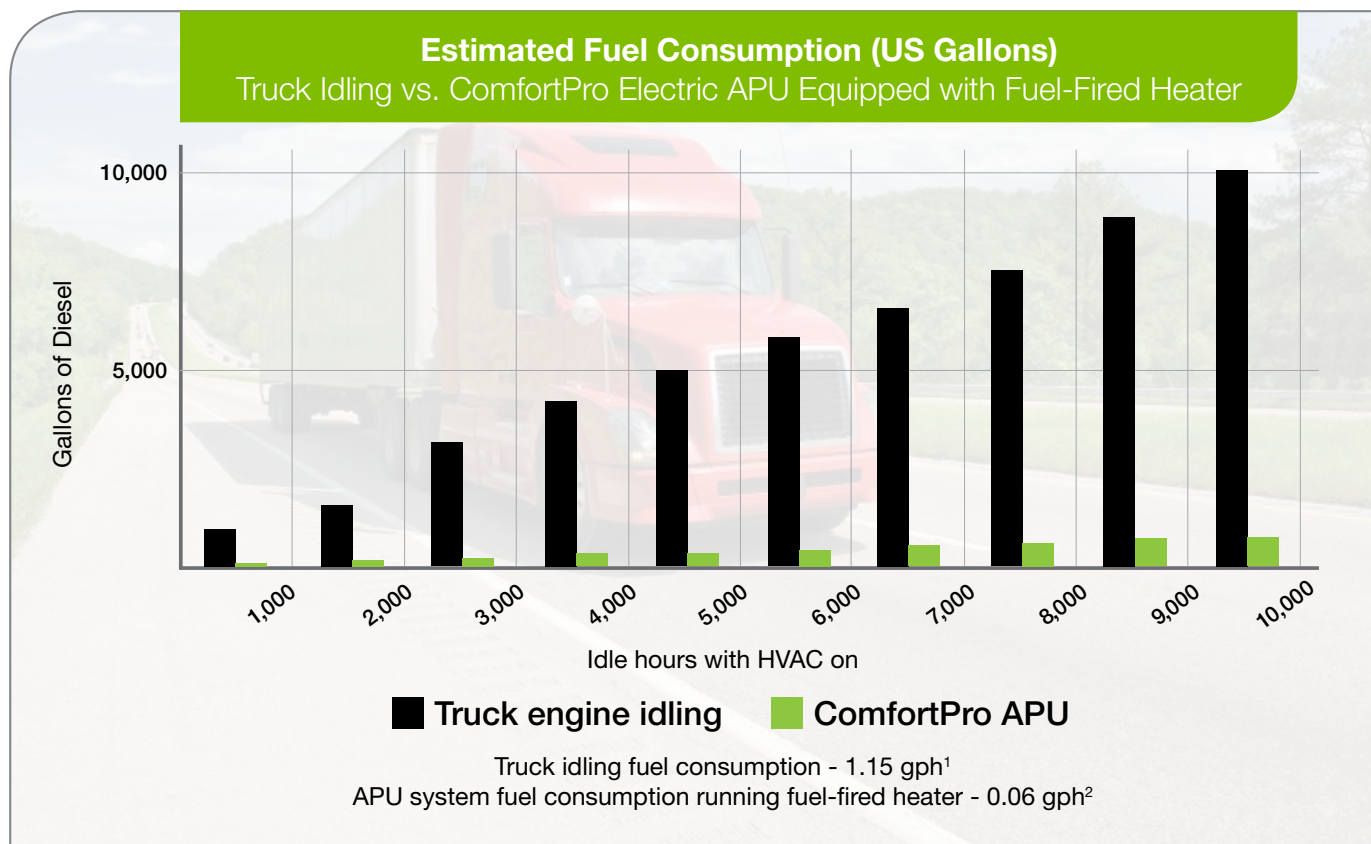
That means less risk of premature failure of costly truck engine components resulting from excessive idling. Also, using anti-idling technology, such as a ComfortPro APU, may be an important trade-in value consideration.

Regulatory Compliance: A Fine Solution

Consistent use of a ComfortPro electric APU minimizes the risk of costly fines associated with anti-idling regulations.

Engineless electric APUs provide the most environmentally sustainable APU choice, as they emit no particulates, noise or greenhouse gases when used for air conditioning.

The ComfortPro electric APU was designed to meet the requirements of both the California Air Resources Board (CARB) and the nationwide anti-idle and anti-emissions regulations.



1. 2014 NACFE "Confidence Report: Idle-Reduction/Diesel APUS" <http://www.truckingefficiency.org/idle-reduction/diesel-apus>
2. Fuel consumption will vary based on ambient temperature and tractor cab insulation characteristics.

BENEFITS in any SEASON

With Options to Meet Your Needs

A Customizable Solution

The basic ComfortPro® electric APU (240EPS) provides an ideal, emissions-free air conditioning system for driver comfort. If additional features are desired, your Carrier Transicold dealer can help you choose from an array of options.

Heating for You, Heating for Your Truck

There are many fuel-fired heater options available. Some heaters provide cab air heating only, and the others provide coolant heater for cab heating and engine warming, enabling easier cold-weather starts and helping to prolong starter life.

Hotel Power

An inverter adds 1.8 kW of high-quality, 120-volt AC power for hotel loads, more output than other battery-based APUs.

Shore Power

When household current or “shore power” is available from an external source at truck stops, service areas or home, the ComfortPro electric APU’s shore power option can be used. Plugging in eliminates the need to use the APU batteries to run the air conditioning system, and shore power will also top off the APU battery charge.

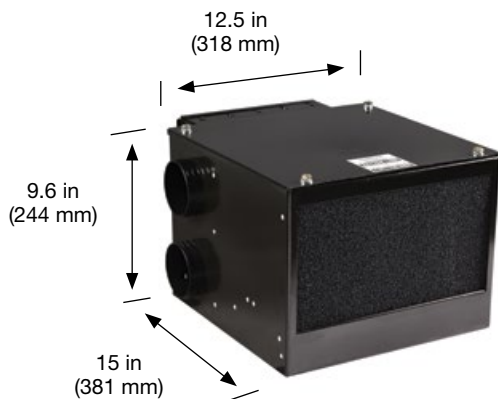


PERFORMANCE

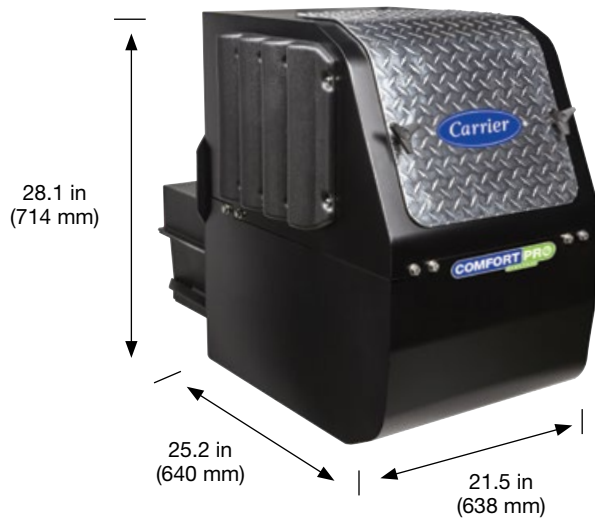
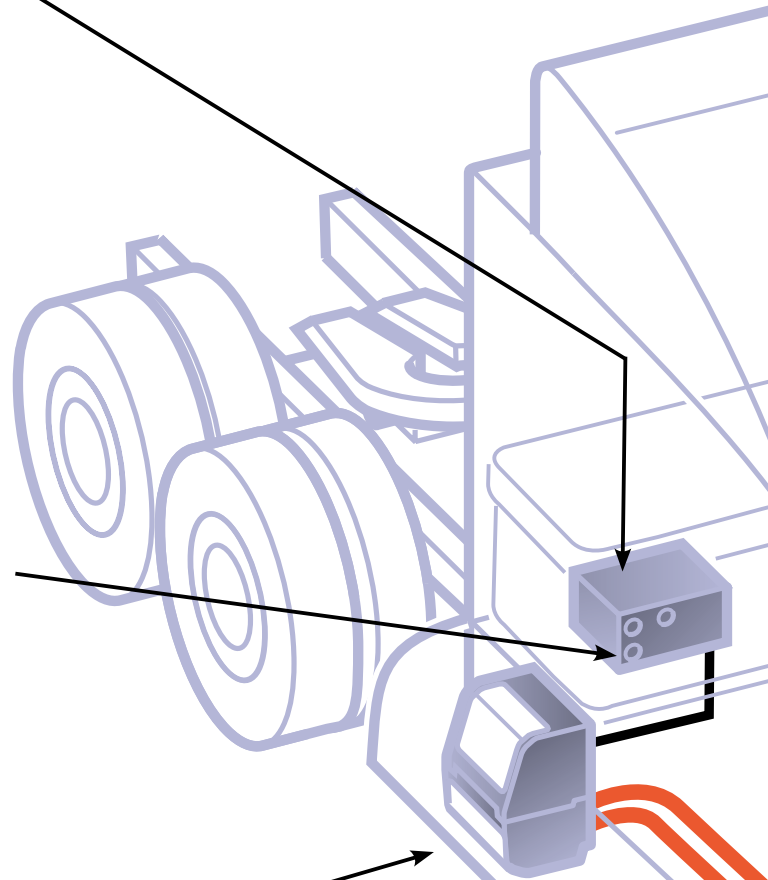
Specifications

Under Bunk Climate Control Unit

Fits easily under studio sleeper bed.



Optional Heat Vent



APU Power Plant

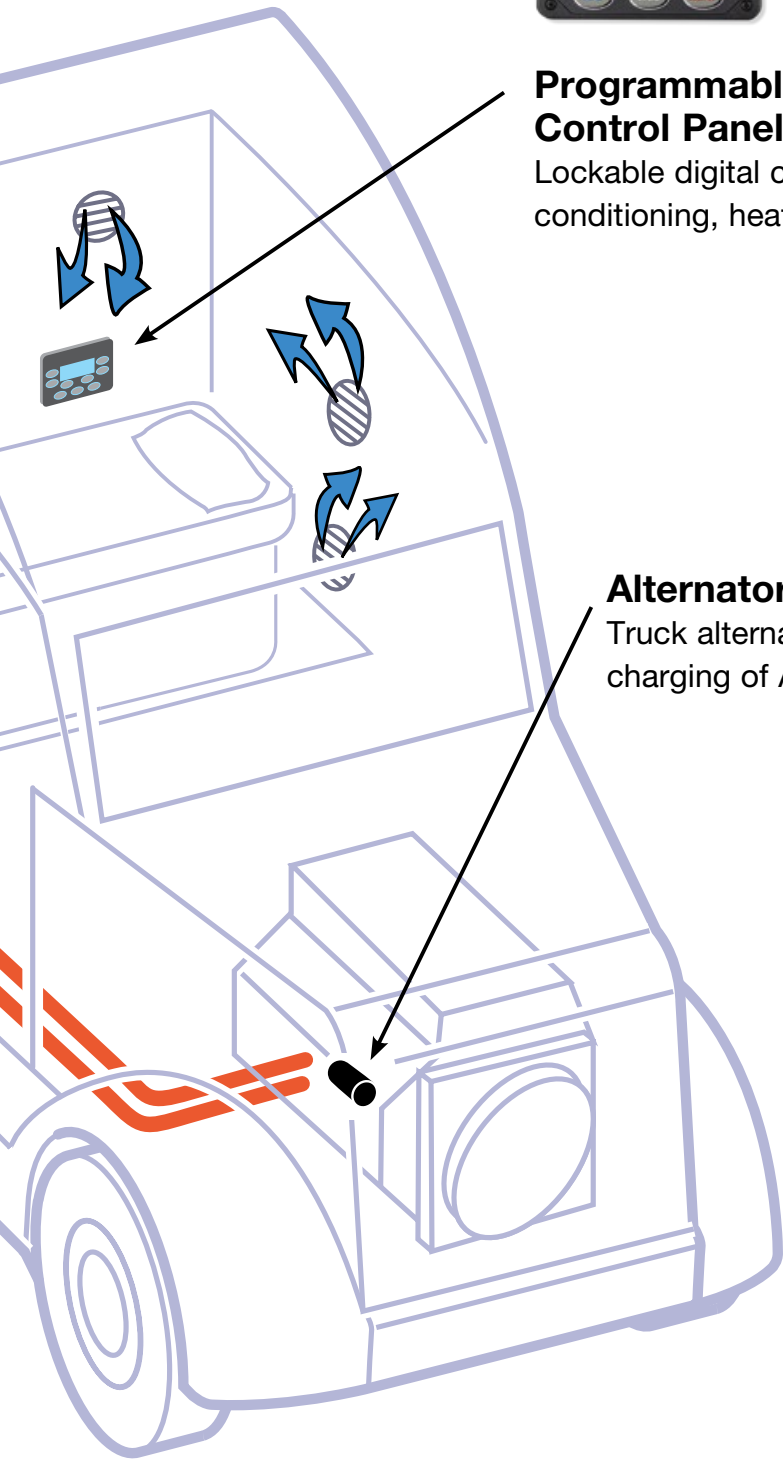
Weatherproof enclosure houses APU batteries, the high-efficiency sealed electric compressor and the condensing unit with integrated filter dryer and fan.

Heating Lines for Truck Engine Warming When Coolant Heater Option Added



Programmable User Control Panel

Lockable digital control for air conditioning, heating and fan.



Alternator

Truck alternator provides charging of APU batteries.

APU Power Plant

Four Group 31 AGM batteries (total 400Ah)
Hermetic compressor
Condenser unit with maintenance-free fan motor
Weight: 470 lbs.

Under Bunk Climate Control Unit

Airflow, 580 cfm
Air Conditioning 7,500 BTU/hour
Refrigerant R-134a
Weight: 30 lbs.

Control Panel

Programmable heat and cool
Configurable features:
Energy-saving comfort monitor mode
Cabin pre-cooling and heating
APU battery charge monitor
Diagnostics with time stamped and stored fault codes

Accessories & Options

- Fuel-fired air heater
7,000 BTU/hr. - keeps cab warm in colder ambients
- Fuel-fired coolant heater with engine warming 17,200 BTU/hr. - adds engine pre-heat capability
- Inverter for 120 VAC hotel loads
- Enables the APU to switch over to 110/120-volt household power by circumventing the battery system for extended use times.

BENEFITS

In any Season



Heating*

7,000 to 17,000 BTU/hr capacity with fuel-fired heating option



Truck Engine Pre-Heat*

Eliminates cold starts



Shore Power*

Unlimited runtime at high output



Battery

4x Group 31 AGM batteries (400Ah)



Reliability

Sealed enclosure to protect APU from road spray, rain and snow

**Designates option.*





Cooling

7,500 BTU/hr capacity



Battery Monitor

Controls state of charge to maximize battery life



Hotel Power*

Up to 1.8kW of high quality 120 VAC power



Virtually Maintenance Free

Fewer moving parts reduces maintenance needs



Emissions Free

Zero emissions and fuel consumption when in cooling mode

OUR GOAL

Providing the Best APU

Carrier® ComfortPro® APUs are proudly manufactured in the United States by a specialized workforce at Carrier Transicold's Athens, Georgia, flagship facility. Our ISO-certified plant uses a variety of advanced manufacturing technologies and processes that are tightly controlled and designed for maximum productivity.

Carrier's manufacturing philosophy is centered on safety, sustainability, and state-of-the-art technology, with the ultimate goal of delivering the highest-quality product at the best price.

- ISO 9001 and ISO 14001 Process Certification
- OSHA Voluntary Protection Program Star Status
- 10 million hours without a lost-time injury through 2017
- Automated processes and Lean Manufacturing



TRUSTED

Dealer Support Network

ComfortPro® APUs are available throughout North America, sold and installed exclusively through the customer-focused Carrier Transicold Dealer Network.

No other network is better trained or better equipped to provide the professional personnel and superior technical support that you depend on to maintain and service your ComfortPro APU.

- 180 locations across North America
- 24/7 service access
- Rigorous factory training for technicians
- Comprehensive critical parts stocking
- Expert service and repairs, bumper-to-bumper, coast-to-coast

Trust Carrier Transicold's dealer network to handle your maintenance and service so you can focus on your customers.



Emission-Free Comfort

Quiet, engineless air conditioning

Up to 11 hours runtime with comfort monitor

Quick-charging AGM batteries

Low Maintenance system

Customizable capabilities
for heating, power and more

Compatible with shore power



Specifications are subject to change without notice.

Warranty: Product warranty and limitations are outlined in Form 62-12074.

This warranty is applicable only in North America. Consult your Carrier Transicold representative for warranty coverage elsewhere. Form 62-12067.

North America
Carrier Transicold
700 Olympic Drive
Athens, GA 30601 USA

Central America and Mexico
Carrier Transicold
Ejercito Nacional 253-A Piso 5
Colonia Anahuac
11320 Mexico D.F.

